



LIGHT & HEAT HALOGEN MINI DOME

INSTRUCTIONS PERTAINING TO A RISK OF FIRE, ELECTRIC SHOCK OR INJURY TO PERSONS

IMPORTANT SAFETY INSTRUCTIONS

Lighted lamp is HOT

WARNING - To reduce the risk of FIRE, ELECTRIC SHOCK OR INJURY TO PERSONS

a) **READ AND FOLLOW ALL SAFETY INSTRUCTIONS.**

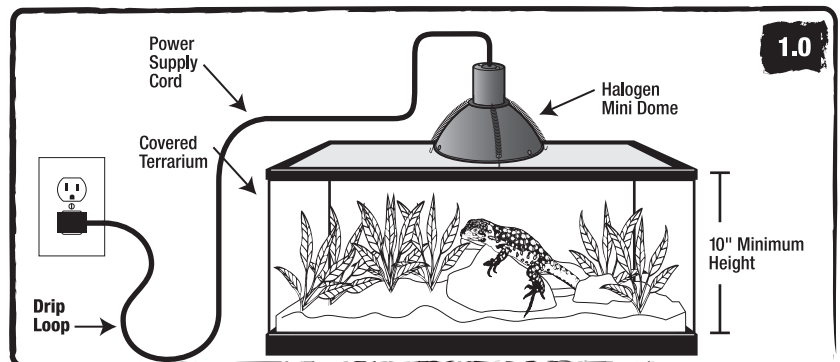
b) **DANGER** - To avoid possible electric shock, special care should be taken since water is employed in the use of terrarium equipment. For each of the following situations, do not attempt repairs by yourself; return the appliance to an authorized service facility for service or discard the appliance:

- 1) If the appliance falls into the water, DON'T reach for it! First unplug it and then retrieve it. If electrical components of the appliance get wet, unplug the appliance immediately. (Non-immersible equipment only)
- 2) Carefully examine the appliance after installation. It should not be plugged in if there is water on parts not intended to be wet.
- 3) Do not operate any appliance if it has a damaged cord or plug, or if it is malfunctioning or has been dropped or damaged in any manner.
- 4) To avoid the possibility of the appliance plug or receptacle getting wet, position terrarium stand and covered terrarium to one side of a wall-mounted receptacle to prevent water from dripping onto the receptacle or plug. A "drip loop," shown in the figure (1.0), should be arranged by the user for each cord connecting a terrarium appliance to a receptacle. The "drip loop" is that part of the cord below the level of the receptacle, or the connector if an extension cord is used, to prevent water traveling along the cord and coming in contact with the receptacle. If the plug or receptacle does get wet, DON'T unplug the cord. Disconnect the fuse or circuit breaker that supplies power to the appliance. Then, unplug and examine for presence of water in the receptacle.

- c) Turn off/unplug and allow to cool before replacing bulb (lamp).
- d) Bulb (lamp) gets HOT quickly! Only contact switch/plug when turning on.
- e) Do not touch hot lens, guard or enclosure.
- f) Do not remain in light if skin feels warm.

- g) Do not look directly at lighted lamp.
- h) Keep lamp away from materials that may burn.
- i) Use only with a 50 watt or smaller bulb (lamp).
- j) Do not touch the bulb (lamp) at any time. Use a soft cloth. Oil from skin may damage bulb (lamp).
- k) Close supervision is necessary when any appliance is used by or near children.
- l) Do not use an appliance for other than intended use. The use of attachments not recommended or sold by the appliance manufacturer may cause an unsafe condition.
- m) Make sure an appliance mounted on a tank is securely installed before operating it.
- n) Read and observe all the important notices on the appliance.
- o) If an extension cord is necessary, a cord with a proper rating should be used. A cord rated for less amperes or watts than the appliance rating may overheat. Care should be taken to arrange the cord so that it will not be tripped over or pulled.
- p) This fixture is intended for use over metal screen-covered terrariums only.
- q) Do not install the fixture inside a canopy or enclosure covering the unit.
- r) For added safety, the fixture must be plugged into a receptacle controlled by a GFI (ground fault interrupter) circuit breaker. Device must be properly connected to a grounded three-prong receptacle.

SAVE THESE INSTRUCTIONS!





LIGHT & HEAT HALOGEN MINI DOME

DIRECTIVES TOUCHANT LE RISQUE D'INCENDIE, DE CHOC ÉLECTRIQUE OU DE BLESSURES

DIRECTIVES IMPORTANTES SUR LA SÉCURITÉ

La lampe allumée est **CHAUDE**

AVERTISSEMENT - Afin de réduire le risque d'INCENDIE, DE CHOC ÉLECTRIQUE OU DE BLESSURES

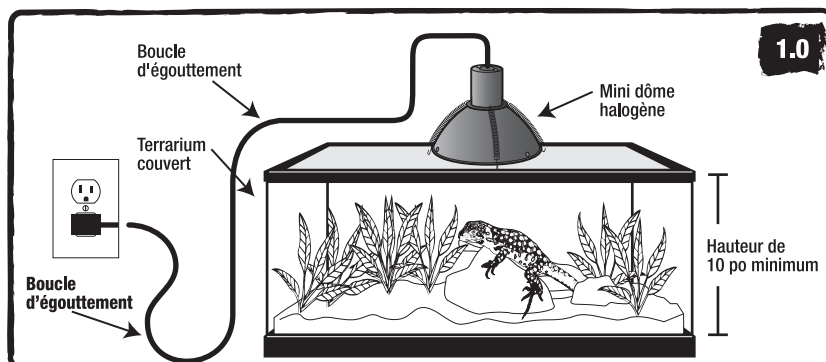
a) **LIRE ET SUIVRE TOUTES LES DIRECTIVES SUR LA SÉCURITÉ.**

b) **DANGER** - Afin d'éviter tout risque de choc électrique, il faut prendre des mesures spéciales puisque l'équipement du terrarium utilise de l'eau. Pour chacune des situations suivantes, ne pas tenter de faire les réparations vous-même; retourner l'appareil à un centre de service autorisé pour qu'il soit réparé ou jeter l'appareil :

- 1) Si l'appareil tombe à l'eau, ne pas le saisir à la main! Le débrancher d'abord, puis le retirer de l'eau. Si les composantes électriques de l'appareil se mouillent, débrancher immédiatement l'appareil. (Équipement non immersible seulement)
- 2) Examiner soigneusement l'appareil après l'installation. Il ne doit pas être branché s'il y a de l'eau sur des pièces qui ne devraient pas normalement être mouillées.
- 3) Ne pas faire fonctionner un appareil s'il a un câble ou une prise endommagée, ou s'il ne fonctionne pas bien ou s'il est tombé ou s'il est endommagé d'une manière ou d'une autre.
- 4) Pour éviter de mouiller la prise de l'appareil ou le réceptacle, positionner le socle du terrarium, ainsi que le terrarium couvert sur le côté d'une prise murale, afin d'empêcher l'eau de couler dans la prise. Une « boucle d'égouttement », indiquée dans la figure (1.0), doit être disposée par l'utilisateur pour chaque câble qui relie un terrarium à une prise murale. La « boucle d'égouttement » est la partie du câble sous le niveau de la prise murale, ou de la connexion si une rallonge est utilisée, pour empêcher l'eau qui voyage le long du câble de venir en contact avec la prise murale. Si la prise murale se mouille, **NE PAS DÉBRANCHER** le câble. Débrancher le fusible ou le disjoncteur qui alimente l'appareil. Puis, débrancher et examiner la présence d'eau dans la prise murale.
- c) Débrancher et permettre de se refroidir avant de remplacer la lampe (l'ampoule).
- d) L'ampoule se **RÉCHAUFFE** rapidement! Ne toucher que la prise pour mettre sous tension.
- e) Ne pas toucher la lentille chaude, la grille de protection ou l'enceinte.

- f) Ne pas demeurer dans la lumière si la peau est chaude.
- g) Ne pas regarder directement dans une lampe allumée.
- h) Maintenir la lampe éloignée de toute matière qui peut brûler.
- i) Utiliser seulement avec une ampoule de 50 Watts ou moins.
- j) Ne jamais toucher l'ampoule. Utiliser un linge doux. L'huile de la peau peut endommager l'ampoule.
- k) La vigilance est nécessaire lorsqu'un appareil est utilisé par ou près des enfants.
- l) Ne pas utiliser l'appareil pour autre chose que son usage prévu. L'utilisation d'accessoires non recommandés ou vendus par le fabricant de l'appareil peut causer une situation dangereuse.
- m) S'assurer qu'un appareil monté sur un réservoir est installé correctement avant de le faire fonctionner.
- n) Lire et respecter tous les avis importants sur l'appareil.
- o) Si une rallonge est requise, il faut utiliser un câble de bonne classification. Un câble classifié pour moins d'ampères ou de watts que la classification de l'appareil peut surchauffer. Il faut faire attention de disposer le câble pour qu'on ne trébuche pas dessus par accident.
- p) Ce luminaire sert seulement aux terrariums recouverts d'un grillage en métal.
- q) Ne pas installer le luminaire à l'intérieur d'un auvent ou un enclos qui recouvre l'unité.
- r) Pour plus de sécurité, le luminaire doit être branché dans une prise contrôlée par un disjoncteur de fuite de terre. L'appareil doit être connecté correctement à une prise triphasée reliée à la terre.

CONSERVER CES INSTRUCTIONS!





LIGHT & HEAT HALOGEN MINI DOME

OPERATION

SAFETY: Disconnect fixture from electrical outlet before attempting to install or replace bulb.

1. Plug fixture into acceptable outlet. Never use with an extension cord unless plug can be fully inserted. This fixture uses a 6' power supply cord.

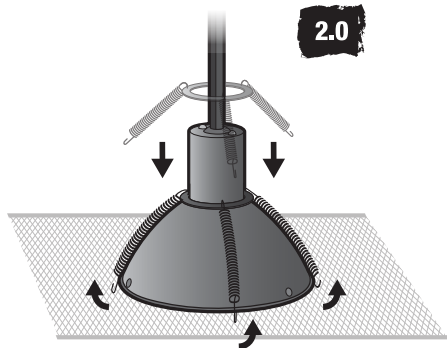
SAFETY: This portable luminaire has a polarized plug (one blade is wider than the other) as a feature to reduce the risk of electrical shock. This plug will fit in a polarized outlet only one way. If the plug does not fit into the outlet, reverse the plug. If it still does not fit, contact a qualified electrician. Do not alter the plug.

2. Use power switch located in line with the power cord to turn fixture on and off. Turn off the fixture and allow it to completely cool before touching, moving, or performing maintenance on the fixture.
3. A timer or temperature controller capable of accepting a polarized plug may be used to operate the fixture.
4. Use of the supplied spring clip is required for installation of this product over a screen cover. To install the spring clip run the end of the power cord through the spring clip ring. Slide the spring clip all of the way down the power cord until it rests around the neck of the fixture. See figure 2.0.
5. To install on the metal screen cover place the fixture with spring clip on the screen in the desired location and pull the 3 spring hooks down along the outside of the reflector and hook them into the screen securely. The spring hooks should be spaced evenly around the circumference of the reflector. See figure 2.0.

CAUTION:

1. This product must be installed over a metal screen terrarium cover.
2. The minimal distance between the fixture and the bottom of the terrarium is 10 inches. See figure 1.0.

For Reptiles: Position fixture to form a thermal gradient with a warmer side and cooler side in the enclosure. This will allow reptiles to adjust their body temperature more easily. Always use a thermometer to monitor inside of habitat. Choose a halogen bulb that will provide an appropriate environment as determined by reptile species, volume of reptile housing and ambient climate.



2.0

MAINTENANCE

BULB INSTALLATION/REPLACEMENT

WARNING: Do not touch the halogen bulb with bare skin. Use a soft cloth to contact the bulb directly. Oil from skin may affect the bulbs lifespan.

AVERTISSEMENT : Ne pas toucher l'ampoule halogène directement avec la peau. Utiliser un linge doux pour toucher l'ampoule directement. L'huile de la peau peut affecter la vie utile des ampoules.

1. Turn off power to the fixture and allow the fixture and bulb to cool for a minimum of 15 minutes before handling.
2. Install a Zilla® Mini Halogen bulb into the fixture by pushing it completely into the ceramic lamp socket.

WARNING: Risk of Fire - Use a 50W Maximum, G9 Halogen Lamp, marked Type T Shielded on Bulb, marked suitable for use in an open luminaire.

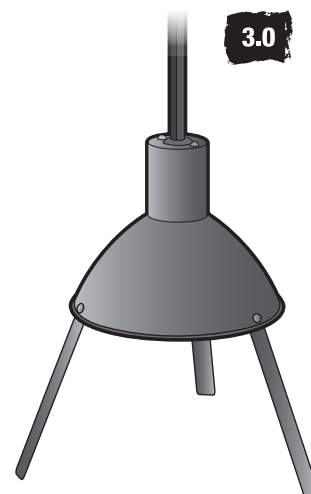
AVERTISSEMENT : Risque de feu - Utiliser une ampoule de 50 W maximum, G9 halogène, marquée de type T blindée sur l'ampoule, et indiquée qui convient à un

Metal Brackets and Screws:

The supplied metal brackets and screws are a UL safety requirement and are intended for use ONLY if the fixture is NOT installed over a metal screen covered terrarium.

The metal brackets are intended to be installed as shown (see figure 3.0) to keep the fixture a safe distance from combustible materials.

If the fixture is used over a metal screen covered terrarium with a minimum distance of 10 inches between the fixture and the bottom of the terrarium the brackets DO NOT need to be installed.



3.0



LIGHT & HEAT HALOGEN MINI DOME

12 MONTH LIMITED WARRANTY

WHAT THE WARRANTY COVERS:

Central Garden & Pet (Company) warrants this product (see Exclusions below) to the original purchaser against defective material and workmanship that occurs during normal use for 12 months from the date of original purchase. Company will, at Company's option, either repair or replace same without charge (no cash refunds will be made).

EXCLUSIONS:

1. Damage resulting from accident, misuse, abuse, lack of reasonable care, subjecting the product to any but the specified electrical service, other than normal and ordinary use of the product, subjecting the product to abnormal working conditions or any other failure not resulting from defects in materials or workmanship.
2. Damage resulting from modification, tampering with or attempted repair by anyone other than the Company.
3. Transfer of product to someone other than the original consumer purchaser.

LIMITATION OF IMPLIED WARRANTIES AND EXCLUSION OF CERTAIN DAMAGES:

THE COMPANY DISCLAIMS LIABILITY FOR INCIDENTAL AND CONSEQUENTIAL DAMAGES FOR BREACH OF ANY EXPRESS OR IMPLIED WARRANTY, INCLUDING ANY IMPLIED WARRANTY OF MERCHANTABILITY, WITH RESPECT TO THIS PRODUCT. THIS WRITING CONSTITUTES THE ENTIRE AGREEMENT OF THE PARTIES WITH RESPECT TO THE SUBJECT MATTER HEREOF; NO WAIVER OR AMENDMENT SHALL BE VALID UNLESS IN WRITING SIGNED BY THE COMPANY. Some states do not allow the exclusion or limitation of consequential damages, so the above limitation or exclusion may not apply to you.

FOR WARRANTY/REPAIRS/RETURNS:

You must pay any postage, shipping charges, insurance costs and other expenses to return the product to Central Garden & Pet. However, if the necessary repairs are covered by the warranty, Company will pay the return shipping charges to any destination within the United States or Canada.

Contact the Company by telephone: 888-255-4527 or e-mail: warranty@zilla-rules.com or contact the Company by writing to:

Central Garden & Pet
5401 West Oakwood Park Drive
Franklin, WI 53132